

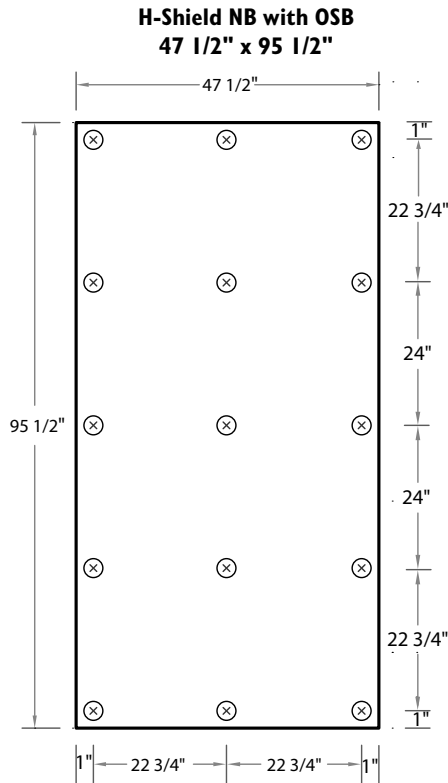
H-SHIELD NB FASTENING PATTERN FOR STEEP SLOPE APPLICATIONS

GREATER THAN 1/2:12



888.746.1114

HunterPanels.com



Hunter Panels Products

- H-Shield NB with OSB - 47 1/2" x 95 1/2"
- H-Shield NB with Plywood - 48" x 96"

Roof Types

- Shingles
- Slate
- Tile
- Standing Seam Metal

Deck Types

- Wood Framing - 24" OC
- Concrete

Notes

- H-Shield-NB must be installed on a structural deck. Do not install directly to framing. H-Shield-NB is not a structural panel.
- Use Hunter Panels SIP fasteners.
- Fastener must penetrate the structural deck by at least 1"
- For slate and tile roofs, contact manufacturer for recommendations.
- For UL-90 rated assemblies under select metal roof systems, please contact the Standing Seam Metal manufacturer for approved fastener, plate and fastening pattern.

